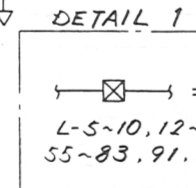
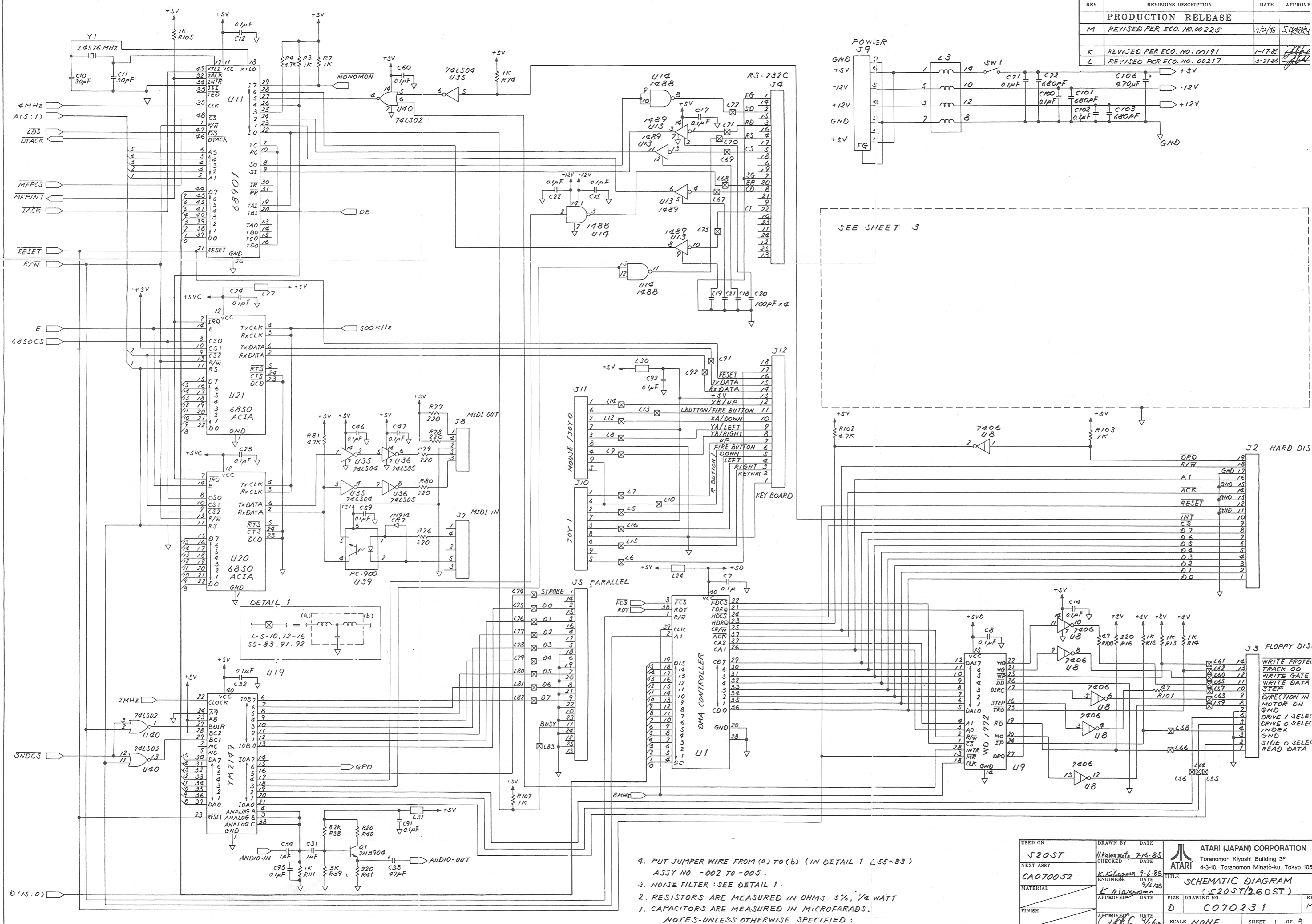
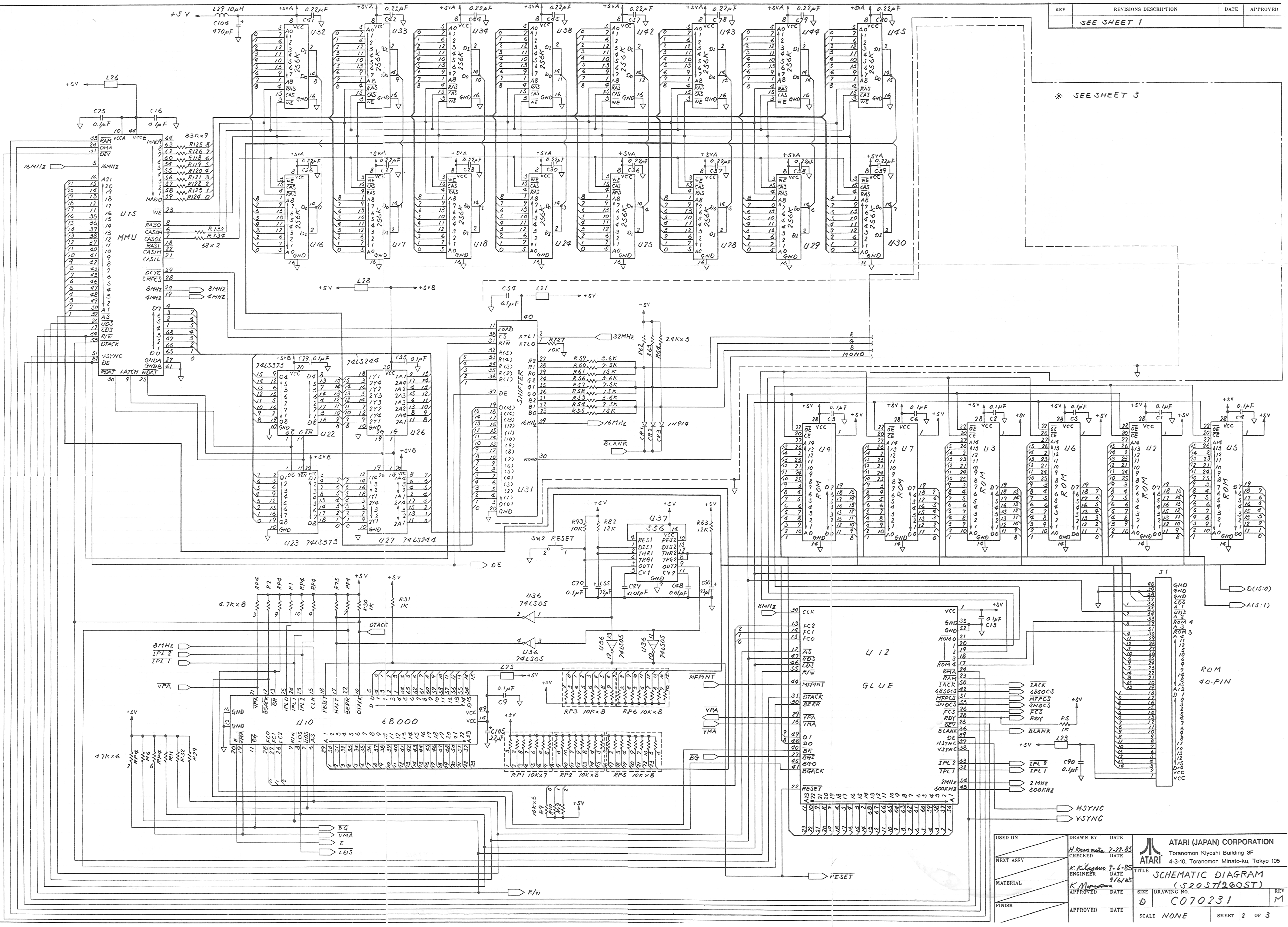


REV	REVISIONS DESCRIPTION	DATE	APPROVE
M	PRODUCTION RELEASE		
M	REVISED PER ECO. NO. 00225	4/22/86	S. OZAKI
K	REVISED PER ECO. NO. 00191	1-17-85	K. KAWASAKI
L	REVISED PER ECO. NO. 00217	3-27-86	K. KAWASAKI



1. CAPACITORS ARE MEASURED IN MICROFARADS.
 2. RESISTORS ARE MEASURED IN OHMS. 5%, 1/4 WATT
 3. NOISE FILTER :SEE DETAIL 1.
 4. PUT JUMPER WIRE FROM (a) TO (b) (IN DETAIL 1 L-S-83) ASSY NO. -002 TO -005.
- NOTES-UNLESS OTHERWISE SPECIFIED :

USED ON	DRAWN BY	DATE	ATARI (JAPAN) CORPORATION Toranomon Kiyoshi Building 3F 4-3-10, Toranomon Minato-ku, Tokyo 105
520ST	K. Kawasaki	7-16-85	
NEXT ASSY	CHECKED	DATE	TITLE SCHEMATIC DIAGRAM (520ST/260ST)
CA070052	K. Kawasaki	9-6-85	
MATERIAL	ENGINEER	DATE	SIZE DRAWING NO. D C070231
	K. Kawasaki	9/1/85	
FINISH	APPROVED	DATE	SCALE NONE
	K. Kawasaki	9/1/85	SHEET 1 OF 3



* SEE SHEET 3

USED ON	DRAWN BY	DATE	ATARI (JAPAN) CORPORATION
NEXT ASSY	H. Kawamura	7-22-85	Toranomon Kiyoshi Building 3F 4-3-10, Toranomon Minato-ku, Tokyo 105
MATERIAL	K. Kikawa	9-6-85	TITLE: SCHEMATIC DIAGRAM (20S71260ST)
FINISH	K. Matsuura	9/6/85	APPROVED DATE: 9/6/85
			SIZE: DRAWING NO. 070231
			SCALE: NONE
			SHEET 2 OF 3

